

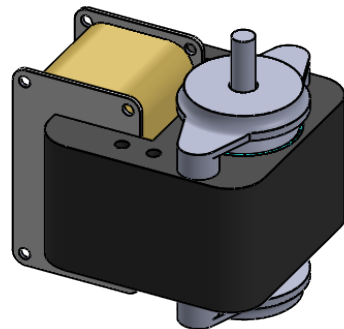
**AC UNIDIRECTIONAL MOTOR**

**A - OUTPUT SHAFT**

**MAX  $\phi$  : 0.25"**

**LENGTH & DETAILS PER CUSTOMER  
REQUIREMENTS**

**B - FROM 5/8" TO 2" DEPENDING ON TORQUE  
REQUIREMENTS**



- OUTPUT SPEED APPROX. 3300 RPM
- OUTPUT TORQUE TO 20 OZ. IN.
- 24,120, 240 VAC 50/60 HZ
- CONTINUOUS OR INTERMITTANT DUTY
- IMPEDENCE PROTECTED OR SELF-RESETTING THERMAL PROTECTION
- U.L. & C.S.A. APPROVED
- RoHS, REACH & CE MARKED
- 18 GAUGE LEADS, LENGTH AS REQUIRED
- BALL BEARINGS
- OPTIONAL COOLING FAN

**REX ENGINEERING GEARMOTORS**

SCALE: 2:3

DWG. NO.

**SP**