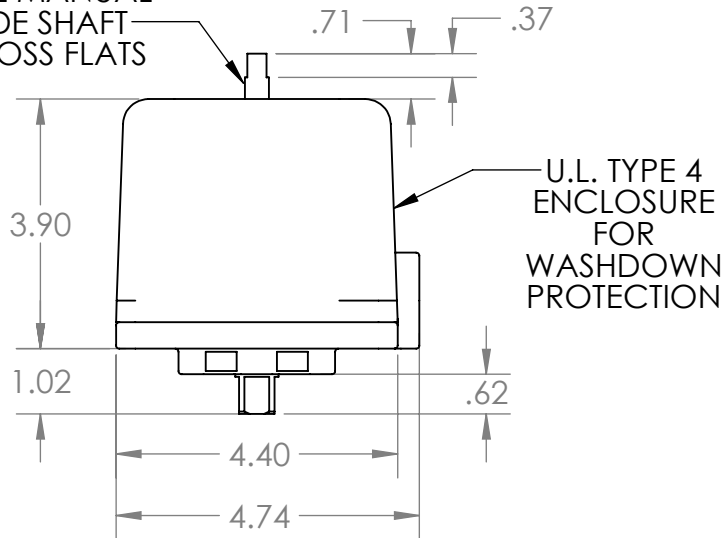
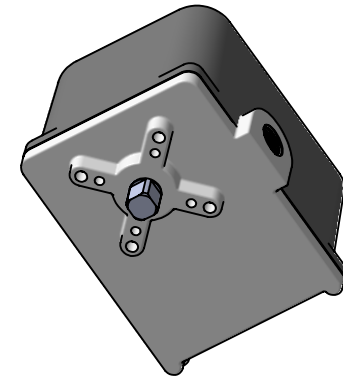


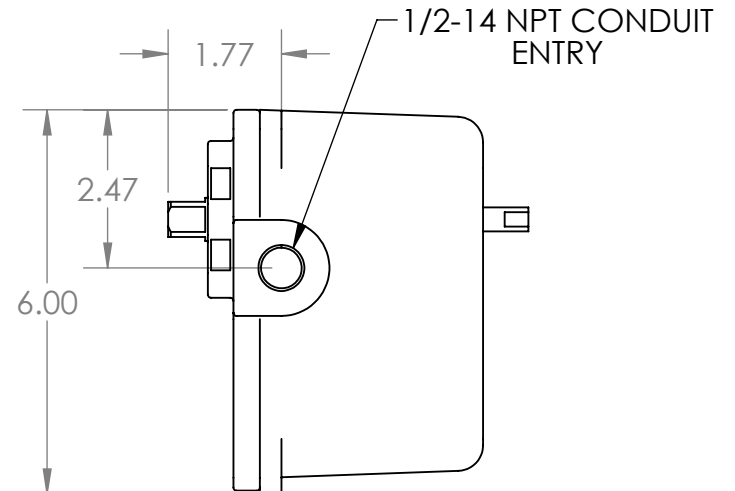
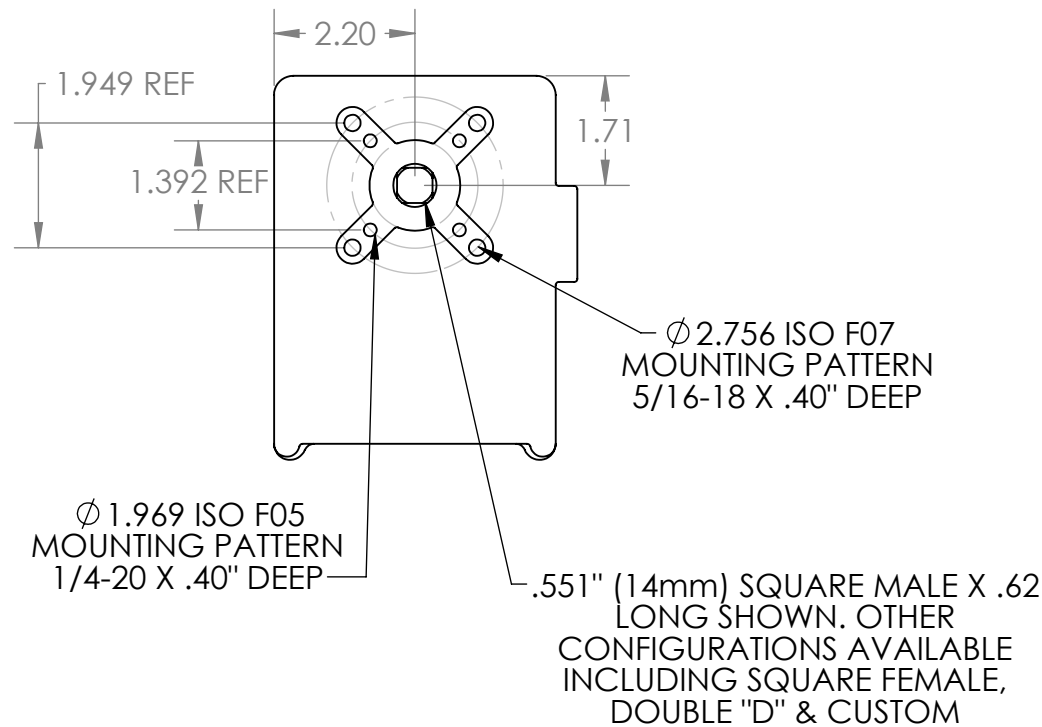
OPTIONAL MANUAL
OVERRIDE SHAFT
.300 ACROSS FLATS



SCALE 0.25



CUSTOM COLORS AVAILABLE



REX ENGINEERING

RA-MALE

SCALE: 1:3

ENGLISH UNITS

SHEET 1 OF 1