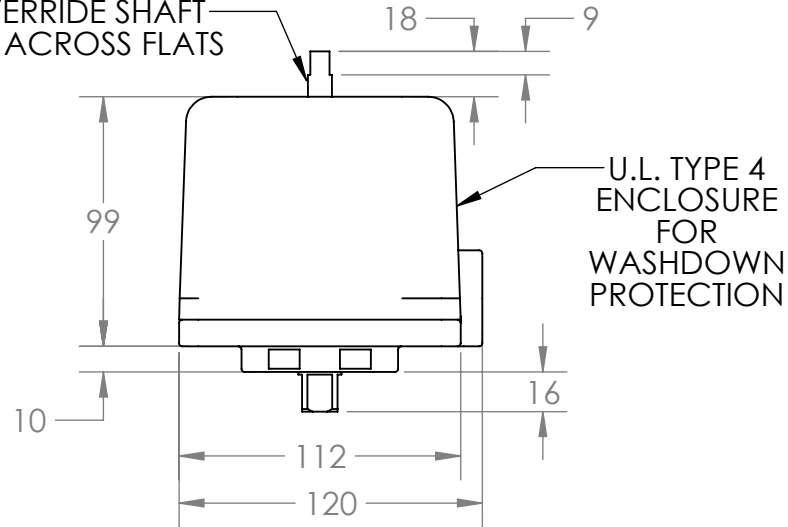
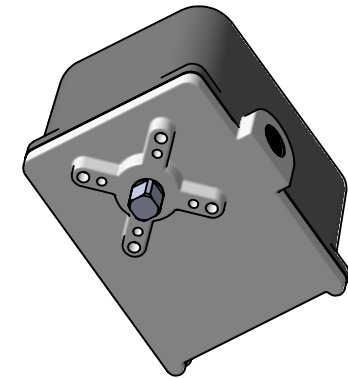


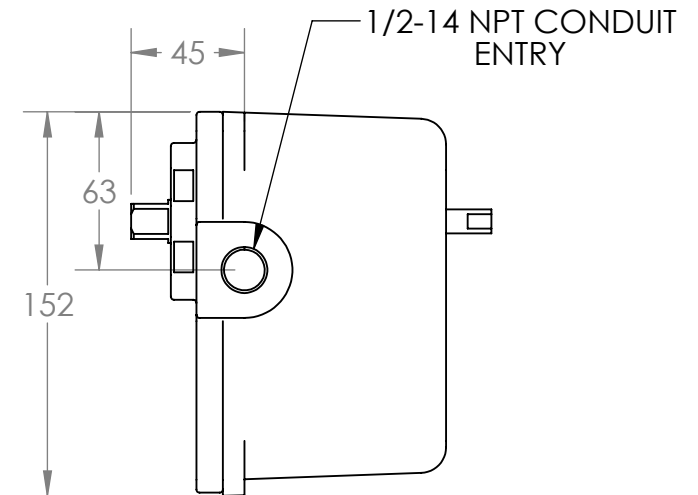
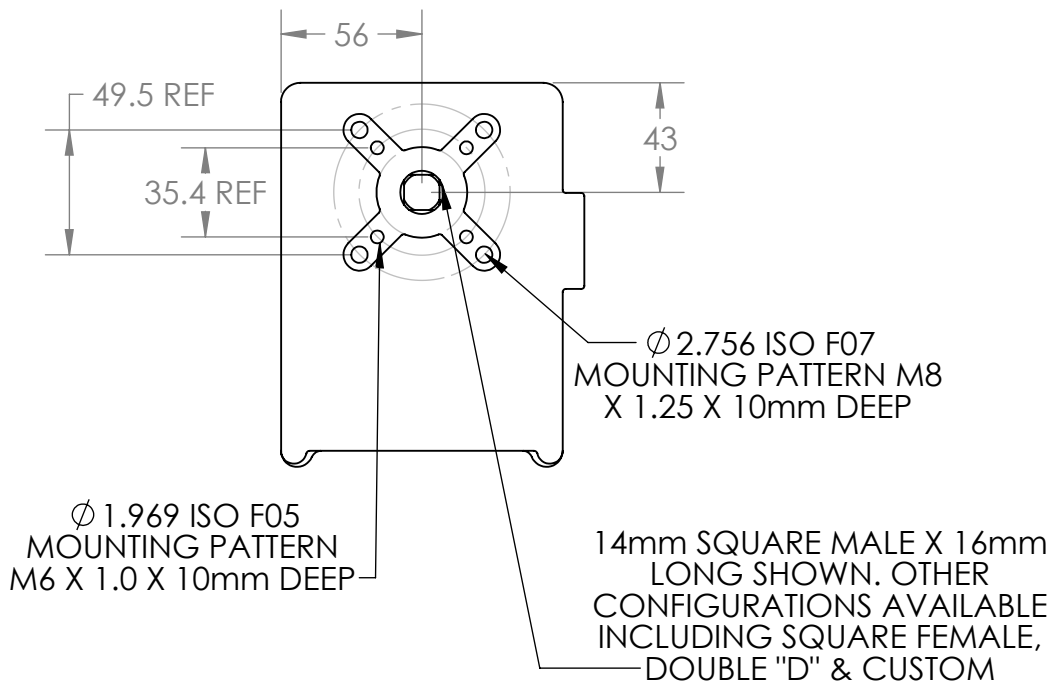
OPTIONAL MANUAL  
OVERRIDE SHAFT  
.300 ACROSS FLATS



SCALE 0.25



CUSTOM COLORS AVAILABLE



**REX ENGINEERING**

**RA-MALE**

SCALE: 1:3

METRIC UNITS

SHEET 1 OF 1