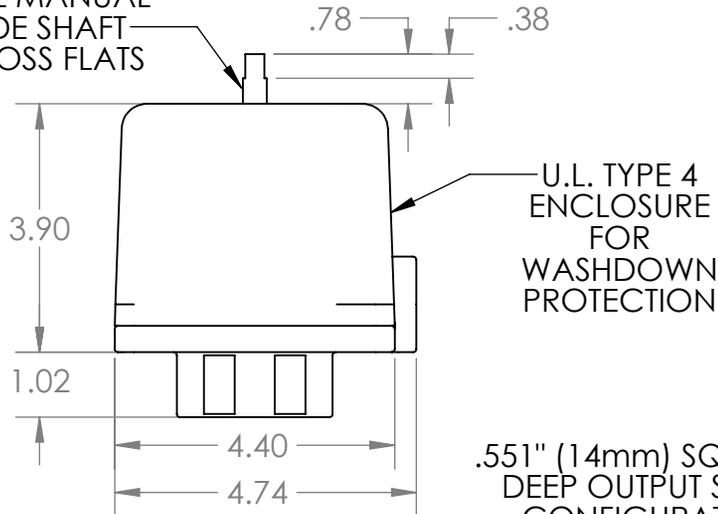
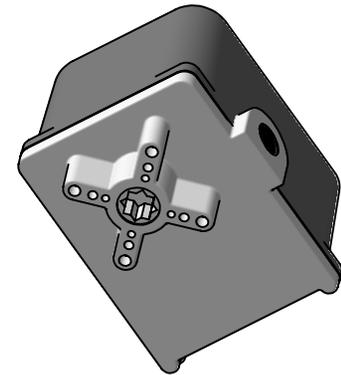


OPTIONAL MANUAL
OVERRIDE SHAFT
.300 ACROSS FLATS

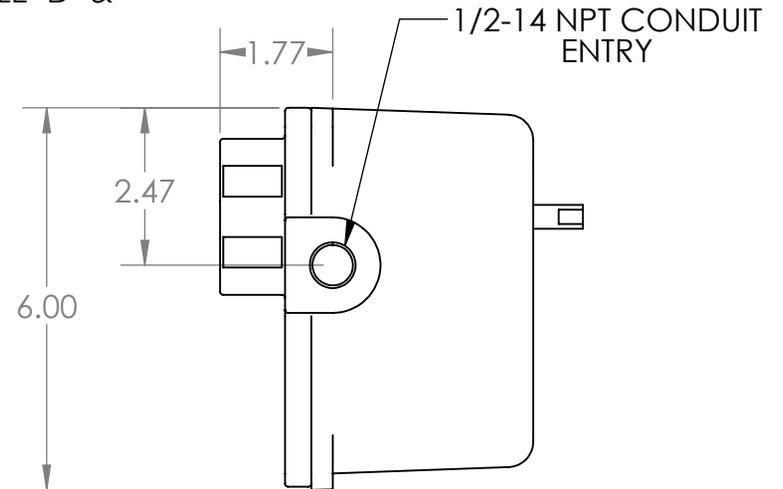
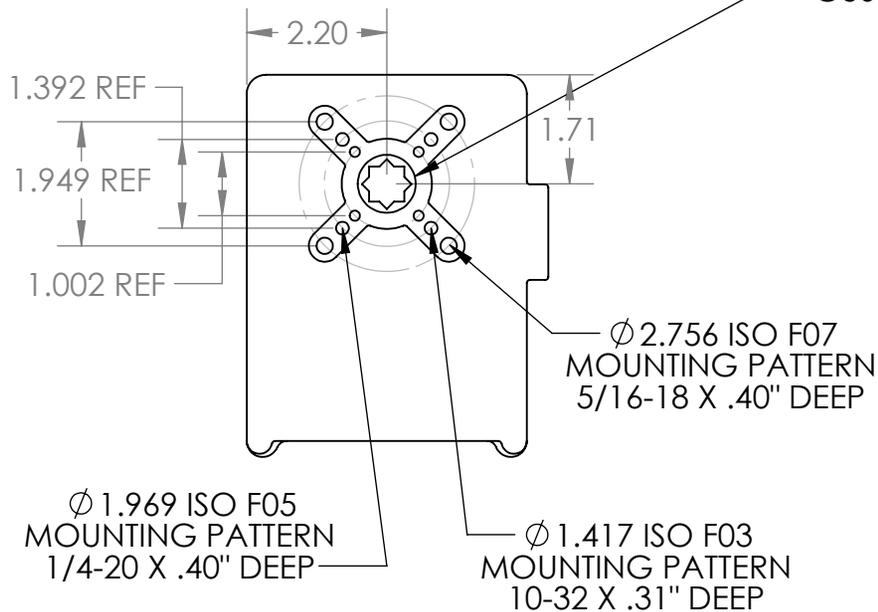


SCALE 0.25



CUSTOM COLORS AVAILABLE

.551" (14mm) SQUARE FEMALE X .62"
DEEP OUTPUT STANDARD. OTHER
CONFIGURATIONS AVAILABLE
INCLUDING SQUARE, DOUBLE "D" &
CUSTOM



REX ENGINEERING

RA-FEMALE

SCALE: 1:3

ENGLISH UNITS

SHEET 1 OF 1