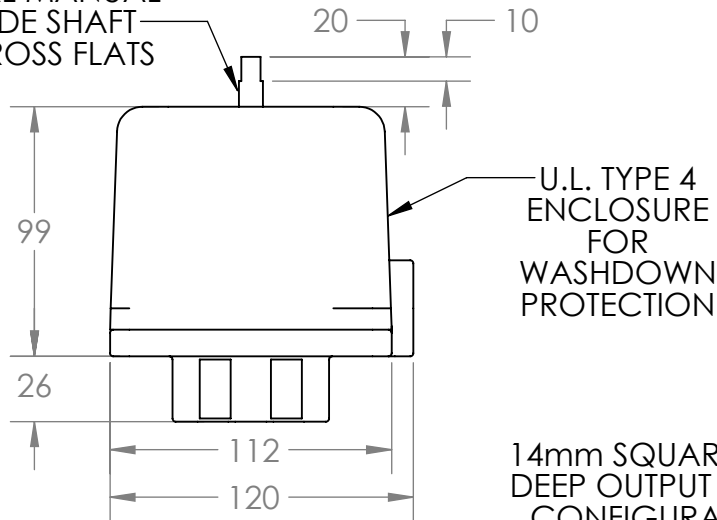
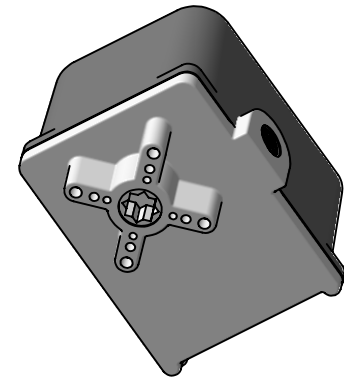


OPTIONAL MANUAL  
OVERRIDE SHAFT  
.300 ACROSS FLATS

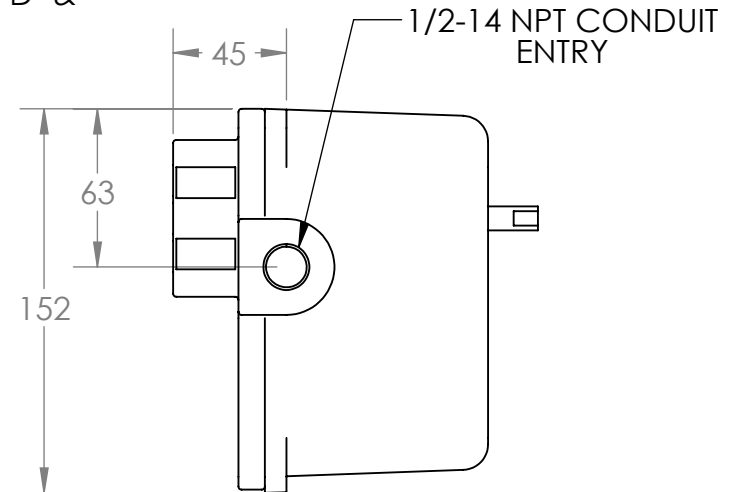
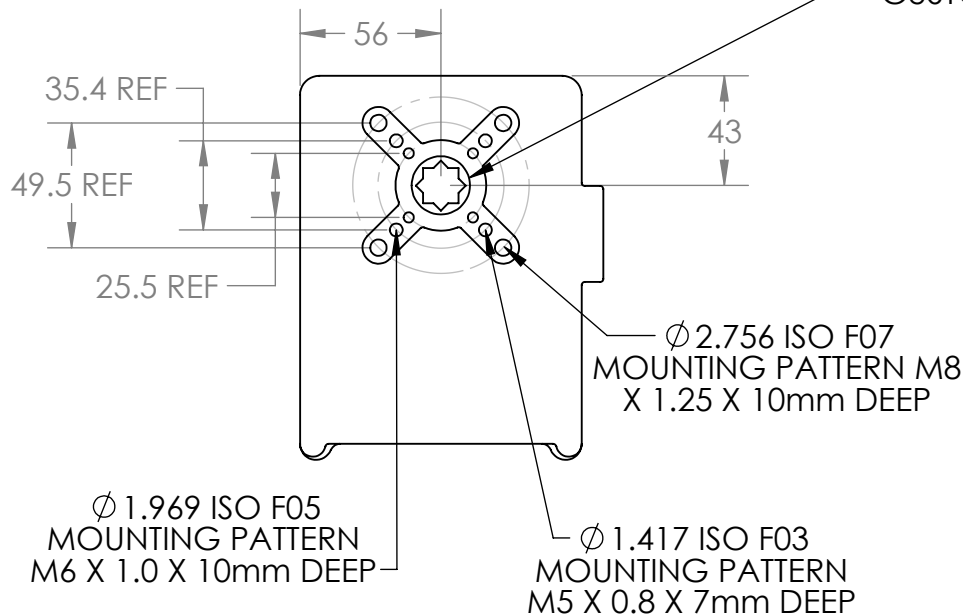


14mm SQUARE FEMALE X 16mm"  
DEEP OUTPUT STANDARD. OTHER  
CONFIGURATIONS AVAILABLE  
INCLUDING SQUARE, DOUBLE "D" &  
CUSTOM

SCALE 0.25



CUSTOM COLORS AVAILABLE



**REX ENGINEERING**

**RA-FEMALE**

SCALE: 1:3

METRIC UNITS

SHEET 1 OF 1