

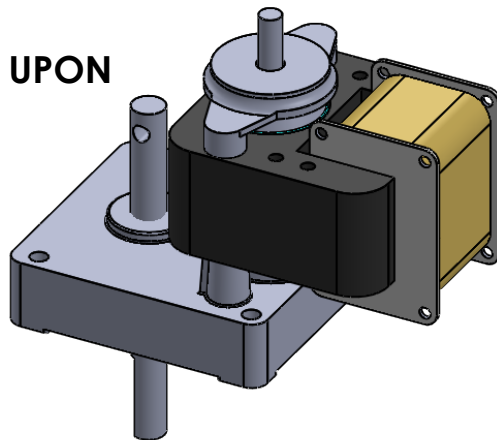
AC UNIDIRECTIONAL GEARMOTOR

A - OUTPUT SHAFT DIAMETER & LENGTH PER CUSTOMER REQUIREMENTS

B - FROM 5/8" TO 2" DEPENDING UPON RPM AND LOAD REQUIREMENTS

OPTIONS

2.5" PLASTIC COOLING FAN
 HEAVY DUTY NEEDLE BEARINGS
 FRICTION BRAKES
 TERMINATION
 TORQUE LIMITING CLUTCH



- OUTPUT SPEEDS FROM 0.3-500 RPM
- OUTPUT TORQUE TO 50 IN. LB.
- 24, 120, 240 VAC 50/60 HZ
- BALL BEARING CONSTRUCTION
- CONTINUOUS OR INTERMITTANT DUTY
- U.L. & C.S.A. APPROVED
- RoHS, REACH & CE MARKED
- 18 GAUGE LEADS

REX ENGINEERING GEARMOTORS

SCALE: 2:3

DWG. NO. HSP-D