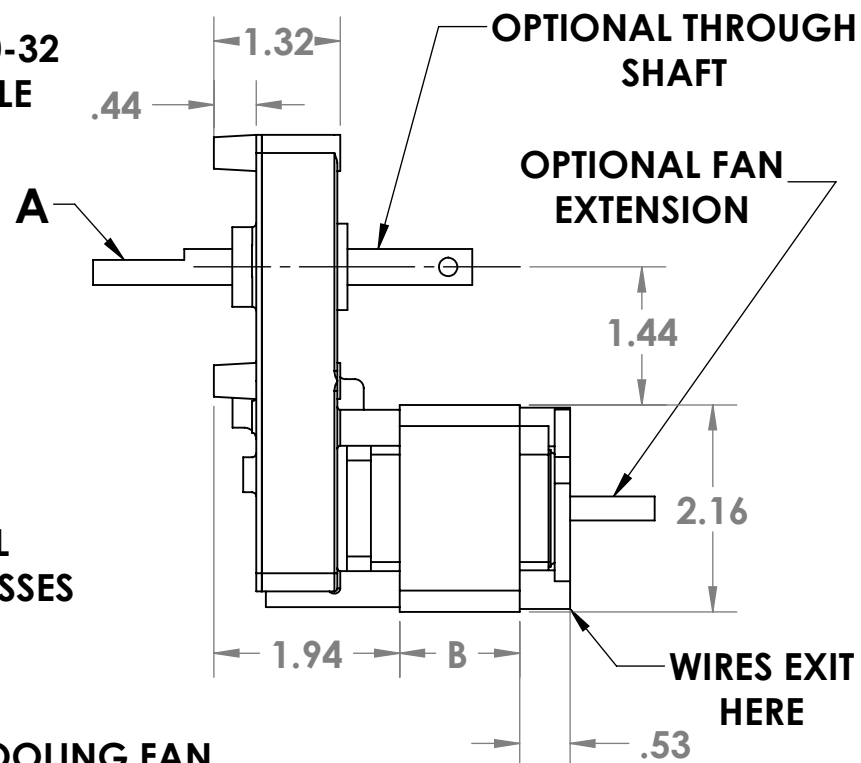


4 BOSSES TAPPED 8-32, 10-32  
OR  $\phi$  .190 THROUGH HOLE

6 OPTIONAL  
MOUNTING BOSSES



**AC REVERSIBLE GEARMOTOR**

A - OUTPUT SHAFT DESIGN PER  
CUSTOMER REQUIREMENTS

B - 5/8" - 2" DEPENDING ON RPM &  
TORQUE REQUIREMENTS

- OUTPUT SPEEDS FROM 1-800 RPM
- OUTPUT TORQUE TO 250 IN. LB.
- 24/120/240 VAC. 50/60 HZ
- CONTINUOUS OR INTERMITTANT DUTY
- SELF-RESETTING THERMAL PROTECTION
- U.L., C.S.A. RoHS & C.E. MARKED
- 18 GAUGE LEADS
- 3 WIRE, PERMANENT SPLIT CAPACITOR  
CONSTRUCTION

**OPTIONS:**

- PLASTIC COOLING FAN
- HEAVY DUTY NEEDLE BEARINGS
- ADJUSTABLE CAMS & LIMIT SWITCHES
- FRICTION BRAKES
- TERMINALS
- MANUAL OVERRIDE
- CAPACITOR

UNLESS OTHERWISE SPECIFIED:		NAME	DATE	<b>REX ENGINEERING GEARMOTORS</b>	
DIMENSIONS ARE IN INCHES TOLERANCES: FRACTIONAL $\pm$ ANGULAR: MACH $\pm$ BEND $\pm$ TWO PLACE DECIMAL $\pm$ .02 THREE PLACE DECIMAL $\pm$ .005		DRAWN	RPH 8/28/17		
INTERPRET GEOMETRIC TOLERANCING PER:		CHECKED		SIZE DWG. NO. REV <b>A</b> EPSC	
MATERIAL		ENG APPR.			
FINISH		MFG APPR.			
DO NOT SCALE DRAWING		Q.A.		SCALE: 1:2	
		COMMENTS:		SHEET 1 OF 1	