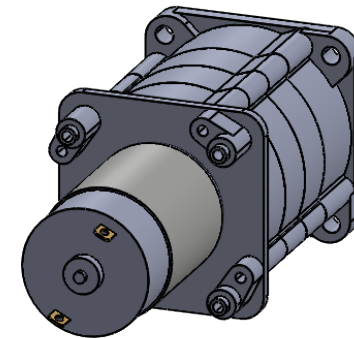


**PLANETARY PERMANENT MAGNET DC GEARMOTOR**

- **A - VARIES DEPENDING ON GEAR RATIO, 5.42" IN CONFIG. SHOWN**
- **B - OUTPUT SHAFT DETAILS PER CUSTOMER REQUIREMENTS**
- **NEMA 23 BOLT PATTERN**
- **RATED VOLTAGE: 6-30 VDC**
- **OUTPUT SPEEDS FROM 1-800 RPM**
- **OUTPUT TORQUE UP TO 200 IN. LB. DEPENDING ON SPEED**
- **CONTINUOUS OR INTERMITTANT DUTY**
- **ROLLER BEARING SUPPORT FOR OUTPUT SHAFT**
- **MAX POWER OUTPUT - 13 WATTS (AC) OR 25 WATTS (DC)**



UNLESS OTHERWISE SPECIFIED:	NAME	DATE	<b>REX ENGINEERING</b>	
DIMENSIONS ARE IN INCHES TOLERANCES: FRACTIONAL ± ANGULAR: MACH ± BEND ± TWO PLACE DECIMAL ± THREE PLACE DECIMAL ±	DRAWN	RPH 5/23		
INTERPRET GEOMETRIC TOLERANCING PER:	CHECKED		SIZE DWG. NO. REV <b>A</b> <b>PLX</b>	
MATERIAL	ENG APPR.			
FINISH	MFG APPR.			
DO NOT SCALE DRAWING	Q.A.		SCALE: 1:2	WEIGHT:
	COMMENTS:		SHEET 1 OF 1	