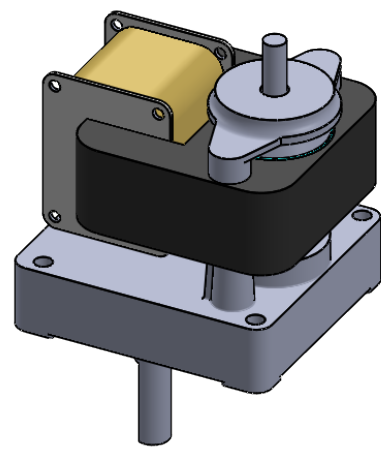


AC UNIDIRECTIONAL GEARMOTOR

A - OUTPUT SHAFT DIAMETER & LENGTH PER CUSTOMER REQUIREMENTS

B - FROM 5/8" TO 2" DEPENDING UPON RPM AND LOAD REQUIREMENTS

- OUTPUT SPEEDS FROM 0.3-500 RPM
- OUTPUT TORQUE TO 50 IN. LB.
- 24,120, 240 VAC 50/60 HZ
- BALL BEARING CONSTRUCTION
- CONTINUOUS OR INTERMITTANT DUTY
- U.L. & C.S.A. APPROVED
- RoHS, REACH & CE MARKED
- 18 GAUGE LEADS



OPTIONS

- 2.5" PLASTIC COOLING FAN
- HEAVY DUTY NEEDLE BEARINGS
- FRICTION BRAKES
- TERMINATION
- TORQUE LIMITING CLUTCH

REX ENGINEERING GEARMOTORS

SCALE: 2:3 DWG. NO. **HSP**