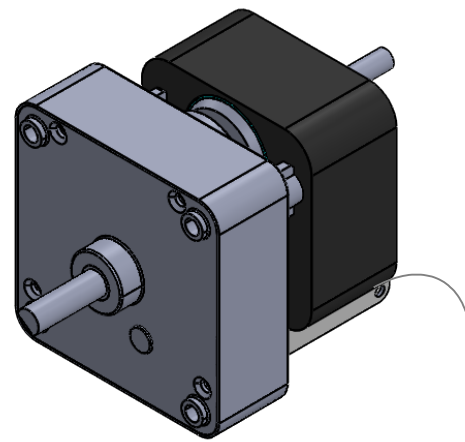


AC UNIDIRECTIONAL GEARMOTOR

- A - OUTPUT SHAFT DIAMETER & LENGTH PER CUSTOMER REQUIREMENTS**
- B - 5/8" - 2" DEPENDING UPON RPM & TORQUE REQUIREMENTS**
- OUTPUT SPEEDS FROM 1-800 RPM
- OUTPUT TORQUE UP TO 75 IN. LB. DEPENDING ON SPEED
- CONTINUOUS OR INTERMITTANT DUTY
- SELF-RESETTING THERMAL PROTECTION
- U.L. & C.S.A. APPROVED, C.E. MARKED
- 18 GAUGE LEADS



OPTIONS

- 2.5" DIAMETER PLASTIC COOLING FAN
- HEAVY DUTY NEEDLE BEARINGS
- FRICTION BRAKES
- TERMINALS

UNLESS OTHERWISE SPECIFIED:		NAME	DATE	REX ENGINEERING GEARMOTORS	
DIMENSIONS ARE IN INCHES TOLERANCES: FRACTIONAL ± ANGULAR: MACH ± BEND ± TWO PLACE DECIMAL ± .02 THREE PLACE DECIMAL ± .005		DRAWN	RPH 8/9/17		
INTERPRET GEOMETRIC TOLERANCING PER:		CHECKED		SIZE DWG. NO. REV	
MATERIAL		ENG APPR.			
FINISH		MFG APPR.		SCALE: 1:5 SHEET 1 OF 1	
DO NOT SCALE DRAWING		Q.A.			
		COMMENTS:			