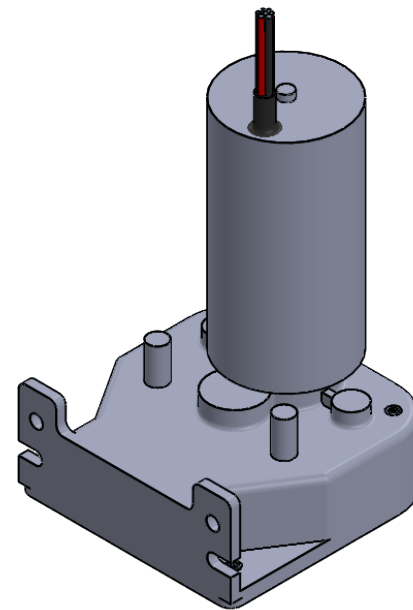
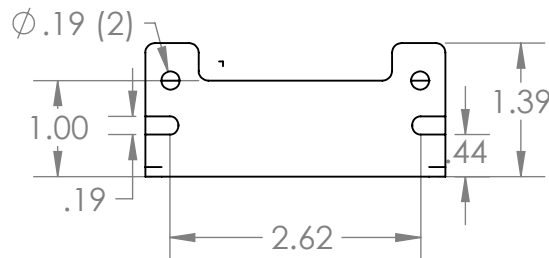


VIEW B:  
MOUNTING FOOT DETAIL



**BRUSHLESS DC REVERSIBLE GEARMOTOR**  
**A - OUTPUT SHAFT DIAMETER & LENGTH**  
**PER CUSTOMER REQUIREMENTS**

**EXTERNAL CONTROL: B = 3.85, C = 1.44**  
**INTEGRAL CONTROL: B = 4.85 C = 1.65**

- **OUTPUT SPEEDS FROM 0.5-800 RPM**
- **OUTPUT TORQUE TO 50 IN. LB.**
- **CONTINUOUS DUTY**
- **6-30 VDC**

|                                      |  |           |             |                            |              |
|--------------------------------------|--|-----------|-------------|----------------------------|--------------|
| UNLESS OTHERWISE SPECIFIED:          |  | NAME      | DATE        | REX ENGINEERING GEARMOTORS |              |
| DIMENSIONS ARE IN INCHES             |  | DRAWN     | RPH 7/17/17 | TITLE:                     |              |
| TOLERANCES:                          |  | CHECKED   |             |                            |              |
| FRACTIONAL ±                         |  | ENG APPR. |             |                            |              |
| ANGULAR: MACH ± BEND ±               |  | MFG APPR. |             |                            |              |
| TWO PLACE DECIMAL ± .02              |  | Q.A.      |             |                            |              |
| THREE PLACE DECIMAL ± .005           |  | COMMENTS: |             |                            |              |
| INTERPRET GEOMETRIC TOLERANCING PER: |  |           |             | SIZE                       | DWG. NO.     |
| MATERIAL                             |  |           |             | <b>A</b>                   | <b>CDBL</b>  |
| FINISH                               |  |           |             |                            | REV          |
| DO NOT SCALE DRAWING                 |  |           |             | SCALE: 1:2                 | SHEET 1 OF 1 |