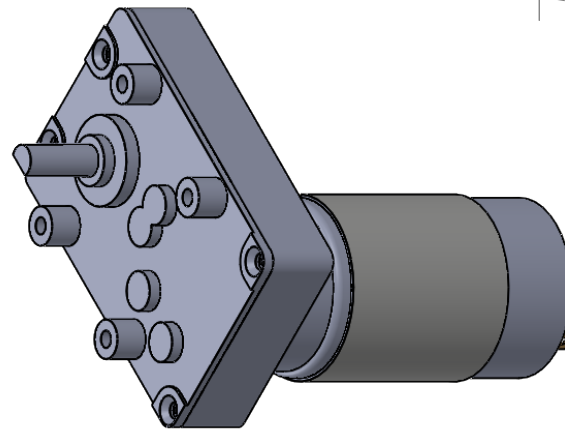


DC REVERSIBLE GEARMOTOR
 A - OUTPUT SHAFT DIAMETER &
 LENGTH PER CUSTOMER
 REQUIREMENTS



- OUTPUT SPEEDS FROM 3-200 RPM
- OUTPUT TORQUE TO 35 IN. LB.
- CONTINUOUS DUTY
- 6-30 VDC
- RoHS MARKED

UNLESS OTHERWISE SPECIFIED:		NAME	DATE	REX ENGINEERING GEARMOTORS	
DIMENSIONS ARE IN INCHES TOLERANCES: FRACTIONAL ± ANGULAR: MACH ± BEND ± TWO PLACE DECIMAL ± .02 THREE PLACE DECIMAL ± .005		DRAWN	RPH 7/17/17		
INTERPRET GEOMETRIC TOLERANCING PER:		CHECKED		SIZE DWG. NO. REV A MINIBOX	
MATERIAL		ENG APPR.			
FINISH		MFG APPR.		SHEET 1 OF 1	
DO NOT SCALE DRAWING		Q.A.			
		COMMENTS:			