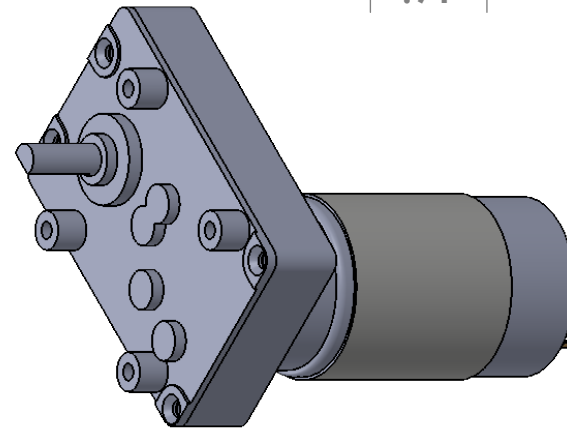


**4 MOUNTING BOSSES
TAPPED 8-32**

DC REVERSIBLE GEARMOTOR

**A - OUTPUT SHAFT DIAMETER & LENGTH
PER CUSTOMER REQUIREMENTS**

- **OUTPUT SPEEDS FROM 3-200 RPM**
- **OUTPUT TORQUE TO 35 IN. LB.**
- **CONTINUOUS DUTY**
- **6-30 VDC**
- **RoHS MARKED**



UNLESS OTHERWISE SPECIFIED:		NAME	DATE	REX ENGINEERING GEARMOTORS	
DIMENSIONS ARE IN INCHES TOLERANCES: FRACTIONAL ± ANGULAR: MACH ± BEND ± TWO PLACE DECIMAL ± .02 THREE PLACE DECIMAL ± .005		DRAWN	RPH 7/17/17		
INTERPRET GEOMETRIC TOLERANCING PER:		CHECKED		SIZE DWG. NO. REV A MINIBOX	
MATERIAL		ENG APPR.			
FINISH		MFG APPR.			
DO NOT SCALE DRAWING		Q.A.			
		COMMENTS:			