

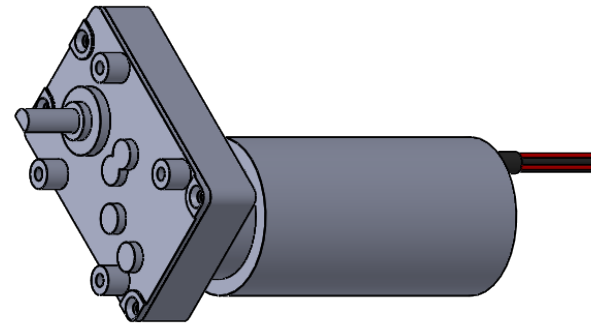
### DC REVERSIBLE GEARMOTOR

**A - OUTPUT SHAFT DIAMETER & LENGTH PER CUSTOMER REQUIREMENTS**

**EXTERNAL CONTROL: B = 3.4, C = 1.44**

**INTEGRAL CONTROL: B = 4.4, C = 1.42-1.65 (1.65 SHOWN)**

- **OUTPUT SPEEDS FROM 3-200 RPM**
- **OUTPUT TORQUE TO 35 IN. LB.**
- **CONTINUOUS DUTY**
- **6-30 VDC**
- **RoHS MARKED**



UNLESS OTHERWISE SPECIFIED:		NAME	DATE	<b>REX ENGINEERING GEARMOTORS</b>	
DIMENSIONS ARE IN INCHES TOLERANCES: FRACTIONAL ± ANGULAR: MACH ± BEND ± TWO PLACE DECIMAL ± .02 THREE PLACE DECIMAL ± .005		DRAWN	RPH 7/17/17		
INTERPRET GEOMETRIC TOLERANCING PER:		CHECKED		SIZE DWG. NO. REV <b>A</b> MINIBOX	
MATERIAL		ENG APPR.			
FINISH		MFG APPR.		SHEET 1 OF 1	
DO NOT SCALE DRAWING		Q.A.			
		COMMENTS:			