

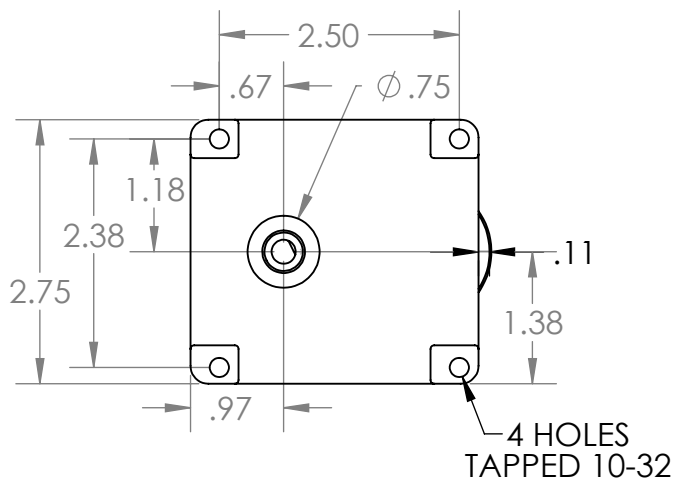
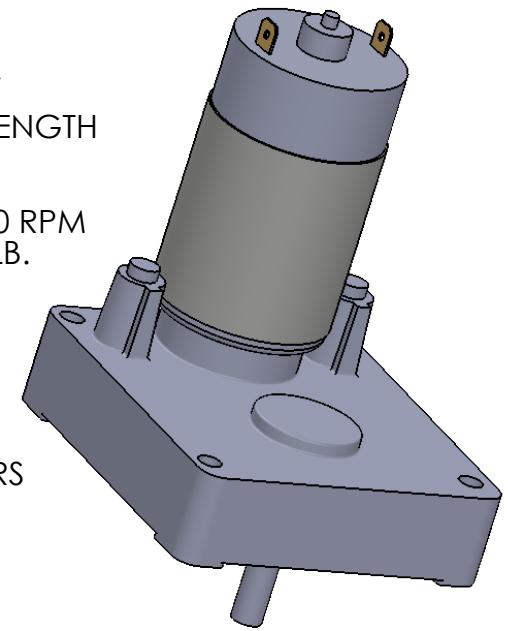
**PMDC REVERSIBLE GEARMOTOR**

A - OUTPUT SHAFT DIAMETER & LENGTH PER CUSTOMER REQUIREMENTS

- OUTPUT SPEEDS FROM 3-500 RPM
- OUTPUT TORQUE TO 50 IN. LB.
- CONTINUOUS DUTY
- 6-30 VDC

**OPTIONS**

- HEAVY DUTY NEEDLE BEARINGS
- ELECTRONIC NOISE ATTENUATORS
- 3PPR ENCODER
- BRUSHLESS DC WINDING



UNLESS OTHERWISE SPECIFIED:		NAME	DATE	REX ENGINEERING GEARMOTORS			
DIMENSIONS ARE IN INCHES		DRAWN	RPH	7/11/17	TITLE:		
TOLERANCES:		CHECKED					
FRACTIONAL ±		ENG APPR.					
ANGULAR: MACH ± BEND ±		MFG APPR.					
TWO PLACE DECIMAL ± .02		Q.A.			SIZE	DWG. NO.	REV
THREE PLACE DECIMAL ± .005		COMMENTS:			<b>A</b>	<b>HX</b>	
INTERPRET GEOMETRIC TOLERANCING PER:					SCALE: 1:2	WEIGHT:	SHEET 1 OF 1
MATERIAL							
FINISH							
DO NOT SCALE DRAWING							