

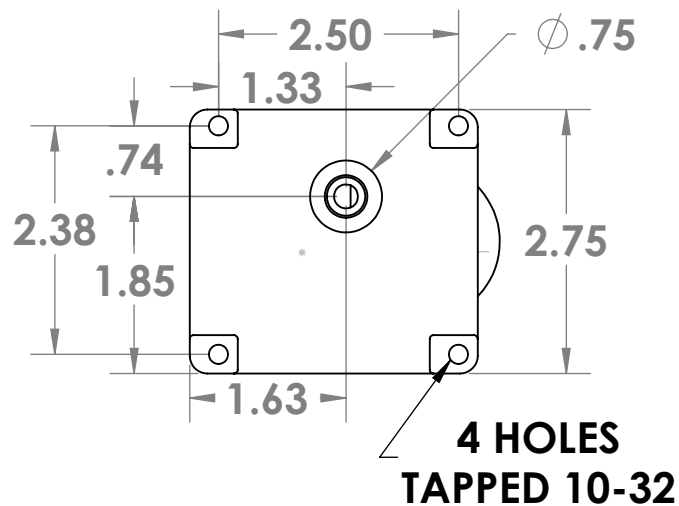
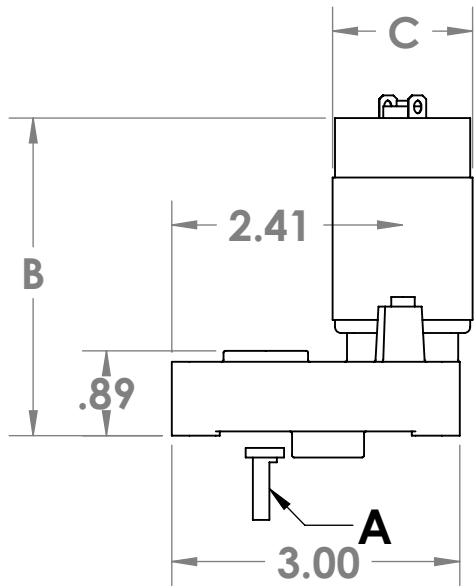
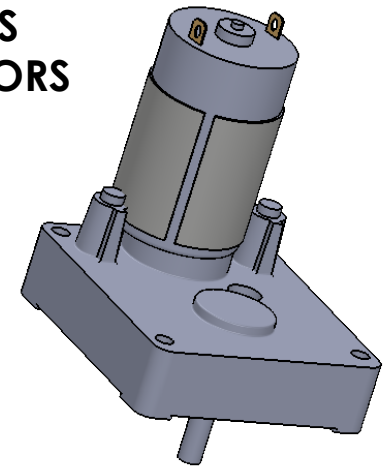
PMDC REVERSIBLE GEARMOTOR

**A - OUTPUT SHAFT DIAMETER & LENGTH
PER CUSTOMER REQUIREMENTS**

- **OUTPUT SPEEDS FROM 3-500 RPM**
- **OUTPUT TORQUE TO 50 IN. LB.**
- **CONTINUOUS DUTY**
- **6-30 VDC**

OPTIONS:

- **HEAVY DUTY NEEDLE BEARINGS**
- **ELECTRONIC NOISE ATTENUATORS**
- **3PPR ENCODER**



UNLESS OTHERWISE SPECIFIED:		NAME	DATE	REX ENGINEERING GEARMOTORS							
DIMENSIONS ARE IN INCHES TOLERANCES: FRACTIONAL ± ANGULAR: MACH ± BEND ± TWO PLACE DECIMAL ± .02 THREE PLACE DECIMAL ± .005	DRAWN	RPH	7/11/17	TITLE:							
	CHECKED										
	ENG APPR.										
	MFG APPR.										
INTERPRET GEOMETRIC TOLERANCING PER:	Q.A.			<table border="1"> <tr> <td>SIZE</td> <td>DWG. NO.</td> <td>REV</td> </tr> <tr> <td>A</td> <td>H2X</td> <td></td> </tr> </table>		SIZE	DWG. NO.	REV	A	H2X	
SIZE	DWG. NO.	REV									
A	H2X										
MATERIAL	COMMENTS:										
FINISH											
DO NOT SCALE DRAWING	SCALE: 1:2	WEIGHT:	SHEET 1 OF 1								