

**4 HOLES
TAPPED 10-32**

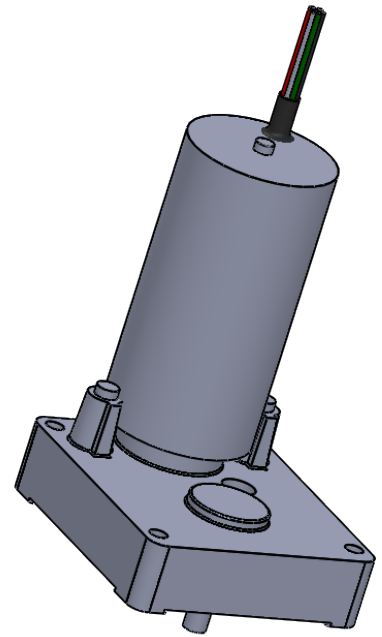
BLDC REVERSIBLE GEARMOTOR
A - OUTPUT SHAFT DIAMETER & LENGTH
PER CUSTOMER REQUIREMENTS

EXTERNAL CONTROL: B = 3.3, C = 1.44
INTEGRAL CONTROL: B = 4.3, C = 1.65 (SHOWN)

- OUTPUT SPEEDS FROM 3-500 RPM
- OUTPUT TORQUE TO 50 IN. LB.
- CONTINUOUS DUTY
- 6-30 VDC

OPTIONS:

- HEAVY DUTY NEEDLE BEARINGS
- ELECTRONIC NOISE ATTENUATORS
- 3PPR ENCODER
- BRUSHLESS DC WINDING
- SPEED & DIRECTIONAL CONTROLS



UNLESS OTHERWISE SPECIFIED:		NAME	DATE	REX ENGINEERING GEARMOTORS	
DIMENSIONS ARE IN INCHES TOLERANCES: FRACTIONAL ± ANGULAR: MACH ± BEND ± TWO PLACE DECIMAL ± .02 THREE PLACE DECIMAL ± .005		DRAWN	RPH		
INTERPRET GEOMETRIC TOLERANCING PER:		CHECKED			TITLE:
MATERIAL		ENG APPR.			
FINISH		MFG APPR.			
DO NOT SCALE DRAWING		Q.A.			
		COMMENTS:			
SIZE	DWG. NO.			REV	
A	H2BL				
SCALE: 1:2	WEIGHT:			SHEET 1 OF 1	