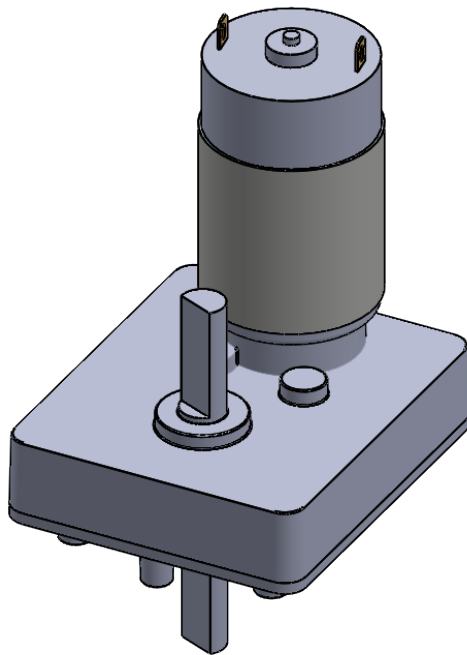


## DC REVERSIBLE GEARMOTOR

**A - OUTPUT SHAFT DIAMETER & LENGTH  
PER CUSTOMER REQUIREMENTS**

- OUTPUT SPEEDS FROM 2-500 RPM
- OUTPUT TORQUE TO 50 IN. LB.
- CONTINUOUS DUTY
- 6-30 V.D.C.



UNLESS OTHERWISE SPECIFIED:		NAME	DATE	<b>REX ENGINEERING GEARMOTORS</b>	
DIMENSIONS ARE IN INCHES TOLERANCES: FRACTIONAL ± ANGULAR: MACH ± BEND ± TWO PLACE DECIMAL ± .02 THREE PLACE DECIMAL ± .005		DRAWN	RPH 8/8/17		
INTERPRET GEOMETRIC TOLERANCING PER:		CHECKED		SIZE DWG. NO. REV	
MATERIAL		ENG APPR.			
FINISH		MFG APPR.		SCALE: 1:2 SHEET 1 OF 1	
DO NOT SCALE DRAWING		Q.A.			
		COMMENTS:			