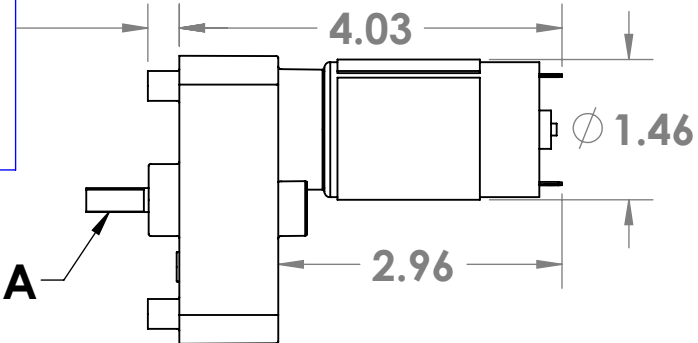
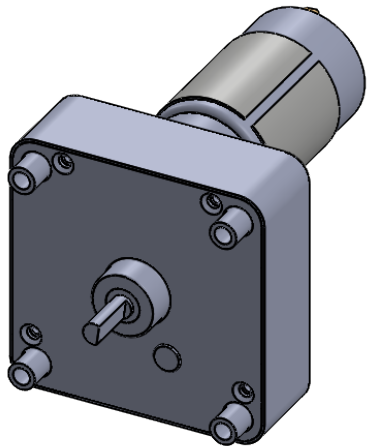


MOUNTING BOSS OPTIONS:
 .090
 .190
 .330 SHOWN



DC GEARMOTOR
A - OUTPUT SHAFT DIAMETER & LENGTH PER CUSTOMER REQUIREMENTS

- **RATED VOLTAGE, 6-30 VDC**
- **OUTPUT SPEEDS FROM 1-800 RPM**
- **OUTPUT TORQUE UP TO 75 IN. LB. DEPENDING ON SPEED**
- **CONTINUOUS OR INTERMITTENT DUTY**



- OPTIONS**
- **HEAVY DUTY NEEDLE BEARINGS**
 - **3 PPR ENCODER**

| | | | | | |
|--------------------------------------|--|-----------|-------------|-----------------------------------|--------------|
| UNLESS OTHERWISE SPECIFIED: | | NAME | DATE | REX ENGINEERING GEARMOTORS | |
| DIMENSIONS ARE IN INCHES | | DRAWN | RPH 8/14/17 | TITLE: | |
| TOLERANCES: | | CHECKED | | | |
| FRACTIONAL ± | | ENG APPR. | | | |
| ANGULAR: MACH ± BEND ± | | MFG APPR. | | | |
| TWO PLACE DECIMAL ± .02 | | Q.A. | | | |
| THREE PLACE DECIMAL ± .005 | | COMMENTS: | | | |
| INTERPRET GEOMETRIC TOLERANCING PER: | | | | SIZE | DWG. NO. |
| MATERIAL | | | | A | CLX |
| FINISH | | | | | REV |
| DO NOT SCALE DRAWING | | | | SCALE: 1:2 | SHEET 1 OF 1 |