

DC REVERSIBLE GEARMOTOR

A - OUTPUT SHAFT DIAMETER & LENGTH PER CUSTOMER REQUIREMENTS

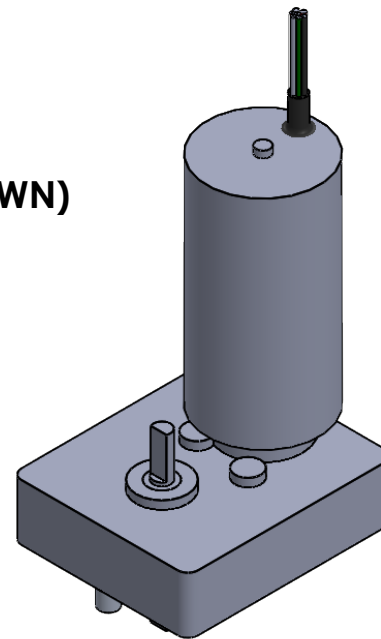
EXTERNAL CONTROL: B = 3.6, C = 1.44

INTEGRAL CONTROL: B = 4.6, C = 1.65 (SHOWN)

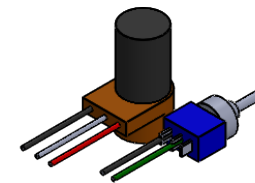
- OUTPUT SPEEDS FROM 2 - 5-- RPM
- OUTPUT TORQUE TO 50 IN. LB.
- CONTINUOUS DUTY
- 6 - 30 V.D.C.

OPTIONS:

HEAVY DUTY NEEDLE BEARINGS
ELECTRONIC NOISE ATTENUATORS



SPEED & DIRECTIONAL CONTROLS (OPTIONAL)



REX ENGINEERING GEARMOTORS

SIZE	DWG. NO.	REV
A	CBLC	

SCALE: 1:2

SHEET 1 OF 1